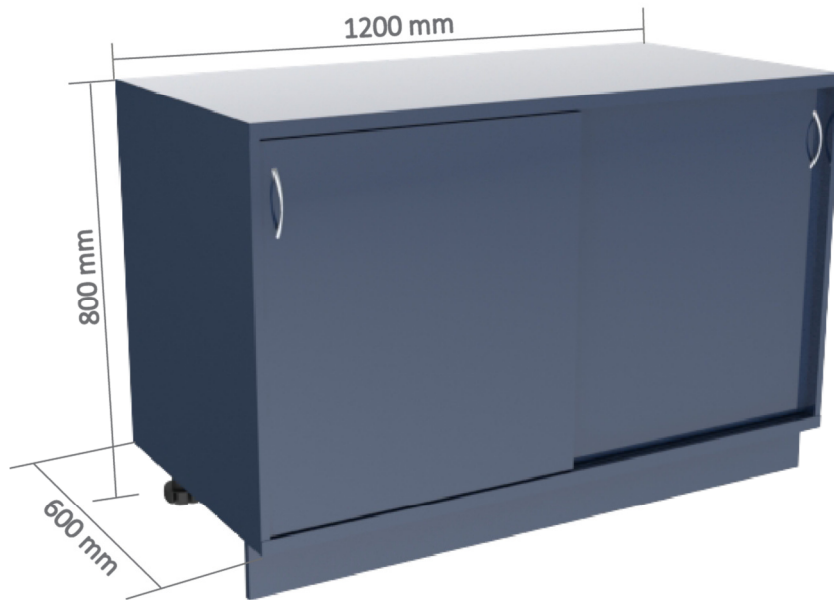


SLIDING DOOR UNIT

CWSD2



FEATURES

- Easy access sliding doors
- Clip on toe kick
- 100mm adjustable foot

OPTIONS

- Door locks
- Carcass colour white plus your choice of top and front panel colour

SPECIFICATIONS

- H - 800mm
- W - 1200mm
- D - 600mm
- Panel thickness 16mm
- Satin chrome handles with safe edge design